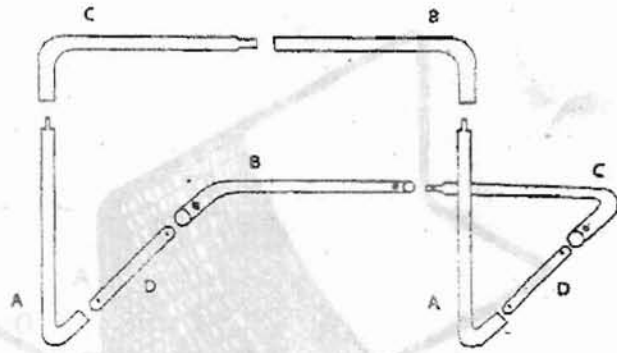
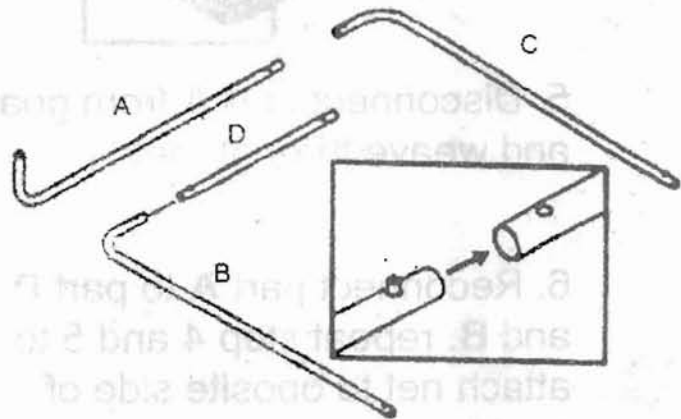


4.5' x 9' Small-Sided Goal

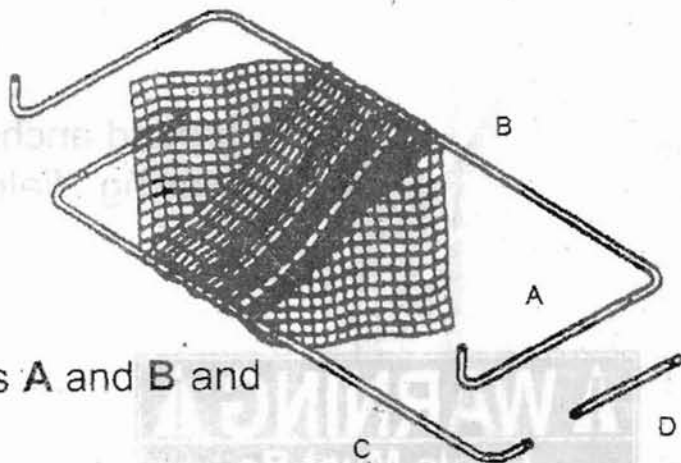
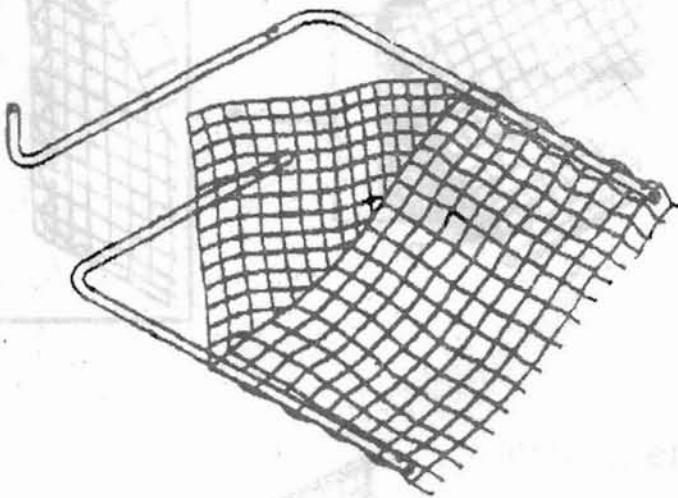
A	2 pieces	
B	2 pieces	
C	2 pieces	
D	2 pieces	
E	4 pieces	
F	1 piece	- Net -



1. Assemble parts **A** and **C** and parts **B** and **D**.



2. Weave assembled parts **A** and **C** and assembled parts **B** and **D** onto net.



3. Connect parts **A** and **B** and parts **C**.

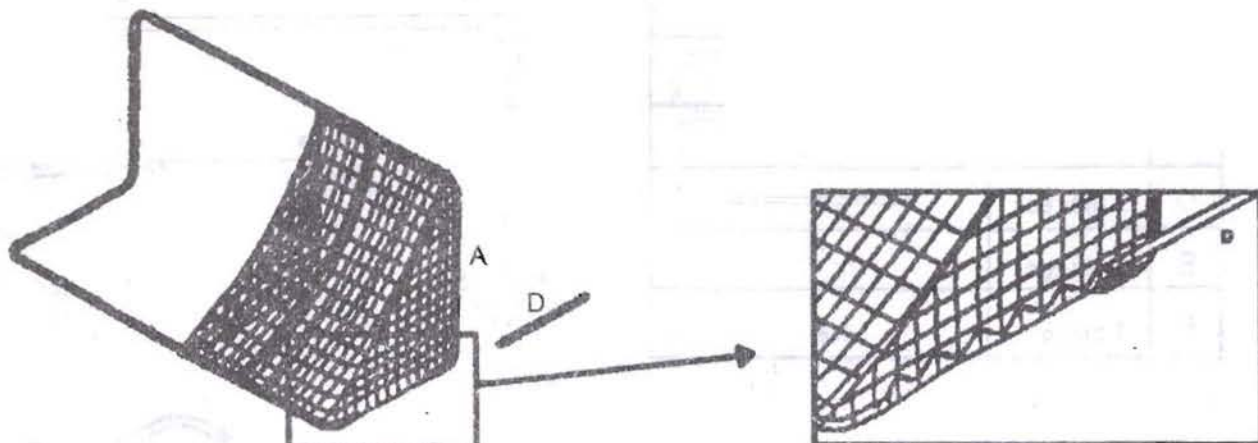
WARNING
Goals Must Be Anchored At All Times
Unsecured goals can fall over causing serious injury or death.
SoccerOne (800) 297-6386

SoccerOne

SoccerOne

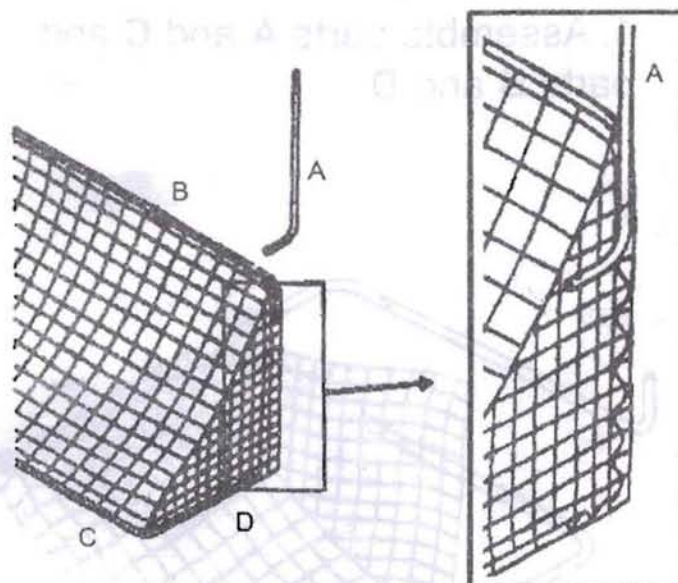
7349 Canoga Ave. - Canoga Park, CA 91303 - (800) 297-6386 - soccerone.com

4. Weave parts **D** through net and attach to part **C**.



5. Disconnect part **A** from goal and weave through net.

6. Reconnect part **A** to part **D** and **B**. repeat step 4 and 5 to attach net to opposite side of goal.



7. Use ground anchors to fasten goal to playing field.



▲ WARNING ▲
Goals Must Be Anchored At All Times
Unsecured goals can fall over causing serious injury or death.
SoccerOne (800) 297-6386